



### General

It is not unusual that, during some applications the thrust generated by a pneumatic cylinder is not sufficient for the specific purpose it has been designed for.

In order to get over the problem, the working pressure may be increased to a maximum line pressure which normally is 6-7 bar; alternatively the problem is solved by an higher bore cylinder that suits the machine.

Three size pressure boosters, with pressure ratio of 1 - 2, have been designed to avoid these problems. This device is utilizing the compressed air of the circuit where it is installed.

### Caratteristiche costruttive e funzionali

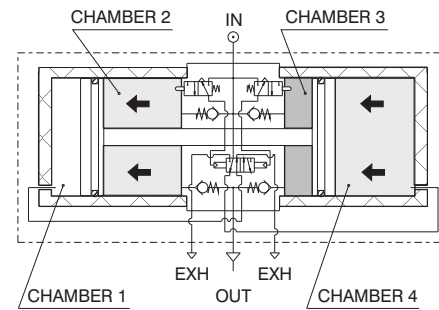
The working method is based on the pump effect of the four chambers cylinder as shown in fig. 1. Two chambers are alternatively compressing the air in the boost one, while the fourth one is discharging.

By means of an internal circuit, the pressure booster keeps on pumping air till the down stream pressure reaches a value double the inlet pressure.

In these circumstances there is a balance condition.

When the down stream pressure decreases, the pressure booster starts again its alternating cycle till a new balance condition is restored.

The pressure booster can be furnished complete with pressure regulator installed on the inlet port for getting an accurate outlet pressure value. A wall mounting plate is also available.



### Instructions for installation and use

Do not exceed the suggested temperature and pressure values.

It is advisable to install a small air tank after the pressure booster to avoid pressure pulsation effects.

Discharge the down stream circuit before any maintenance operation as the inner circuit of the booster does not allow the down stream line discharge even if the inlet pressure drops down.

### Maintenance

Pressure booster has an average life of about 20 millions of valve cycles, depending on working conditions (every back stroke corresponds to one valve cycles).

A proper lubrication and filtration of air improve the life of pressure booster parts.

It is advisable to protect the exhaust ports in environment.

Replaceable spare seal kits are available.

### How to calculate the required time of pressure booster to increase the air pressure in a tank whose capacity is known.

Operating Data:

P1 = Inlet pressure

P2' = Tank initial pressure

P2'' = Tank final pressure

V = Tank volume

#### PROCEDURE :

1) Calculate the ratio K' between the initial pressure of the tank and the inlet pressure of the booster ( $P2'/P1$ ).

2) Calculate the ratio K'' between the final pressure of the tank and the inlet pressure of the booster ( $P2''/P1$ ).

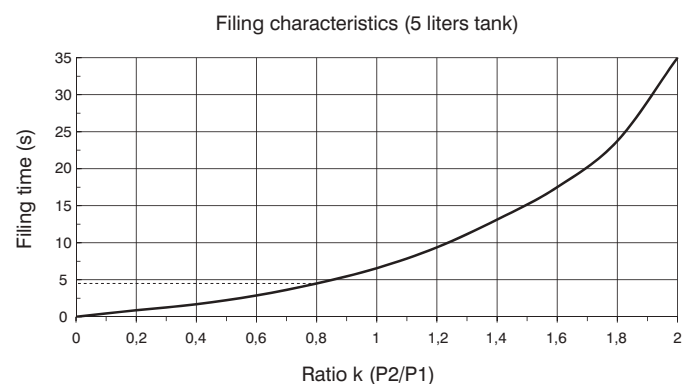
3) Locate the intersection point between the ratio K' and the curve on filling time diagram related to the specific booster.

Trace a vertical line from the above point and read the correspondent time T' (the example shows the ratio K = 0.8 and correspondent time of about 4.8 seconds).

4) Repeat same procedure also for ratio K'' to get time T''.

5) Use the following formula  $T = \frac{V}{5} \cdot (T'' - T')$

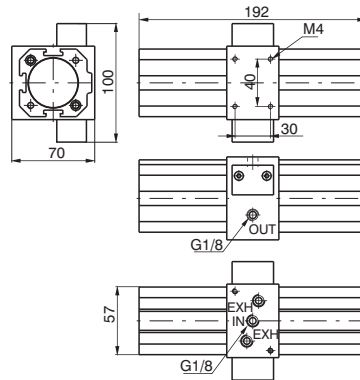
to obtain the total time required to move the pressure P2' to P2'' of tank volume V.



P1 = inlet pressure  
P2 = tank pressure



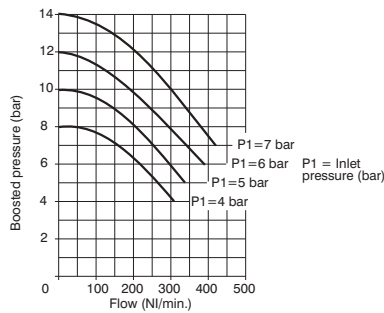
**Pressure booster ø40**



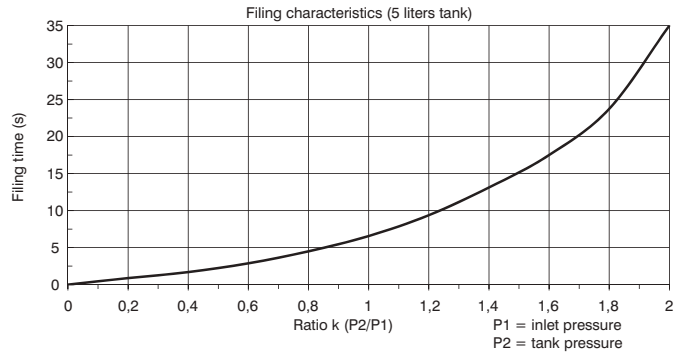
Ordering code

**1740.50N**

Flow rate curves



Filling curves



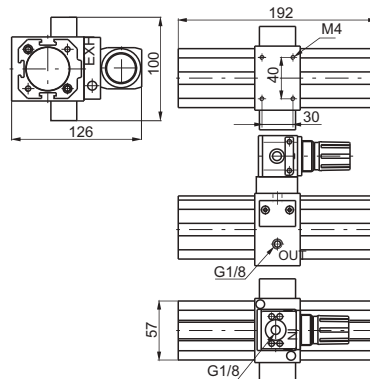
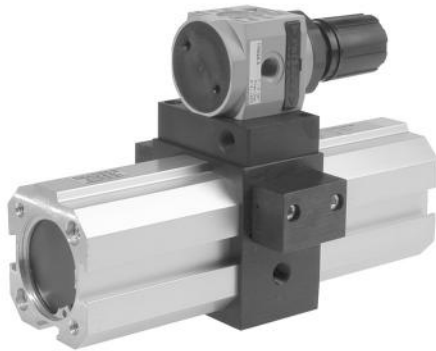
**Operating Characteristics**

- Self operating pressure booster with pressure ratio of 2:1.
- Automatic functioning: to operate the booster just connect it to compressed air line.
- Body made with light alloy.
- Barrel made of extruded and anodized aluminium.
- Downstream circuit pressure is kept under pressure even in absence of inlet pressure.

**Technical characteristics**

Connections	G 1/8"
Max working pressure (bar)	2 - 10
Temperature °C	50°C
Nominal orifice diameter	ø 5 mm
Weight	gr. 1500
Assembly position	Any
Max. fittings torque	15 Nm

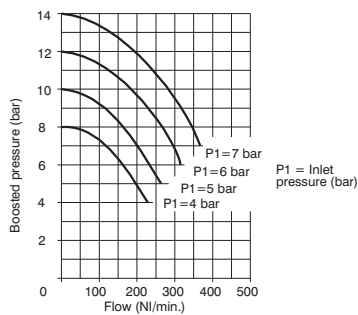
**Pressure booster ø40 complete with pressure regulator**



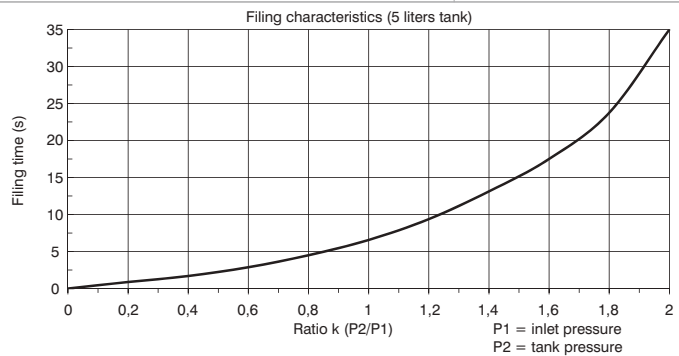
Ordering code

**1740.50.NR**

Flow rate curves



Filling curves



**Operating Characteristics**

- Self operating pressure booster with pressure ratio of 2:1.
- Automatic functioning: to operate the booster just connect it to compressed air line.
- Body made with light alloy.
- Barrel made of extruded and anodized aluminium.
- Downstream circuit pressure is kept under pressure even in absence of inlet pressure.
- Regulation of the inlet pressure (and as a consequence regulation of the outlet pressure)

**Technical characteristics**

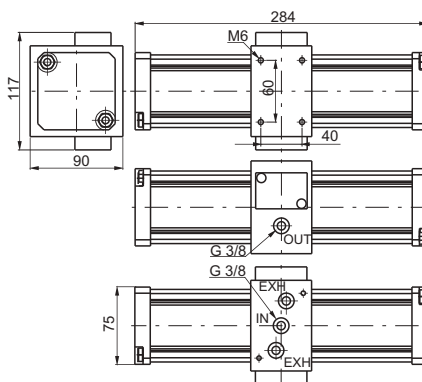
Connections	G 1/8"
Max working pressure (bar)	2 - 10
Temperature °C	50°C
Nominal orifice diameter	ø 5 mm
Weight	gr. 1600
Assembly position	Any
Max. fittings torque	15 Nm



**Series 1700**  
**Pressure booster**

**Air Service Units**

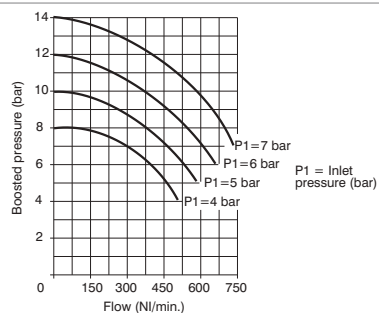
**Pressure booster ø63**



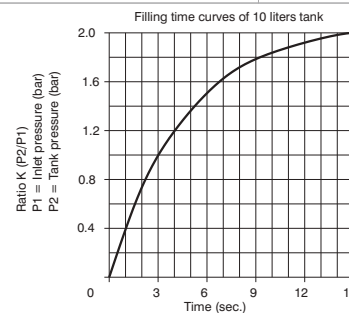
Ordering code

**1763.80N**

Flow rate curves



Filling curves



**Operating Characteristics**

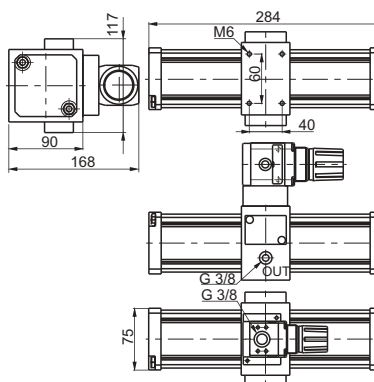
- Self operating pressure booster with pressure ratio of 2:1.
- Automatic functioning: to operate the booster just connect it to compressed air line.
- Body made with light alloy.
- Barrel made of extruded and anodized aluminium.
- Downstream circuit pressure is kept under pressure even in absence of inlet pressure.

**Technical characteristics**

Connections	G 3/8"
Max working pressure (bar)	2 - 8
Temperature °C	50°C
Nominal orifice diameter	ø 7 mm
Weight	gr. 3000
Assembly position	Any
Max. fittings torque	15 Nm

3

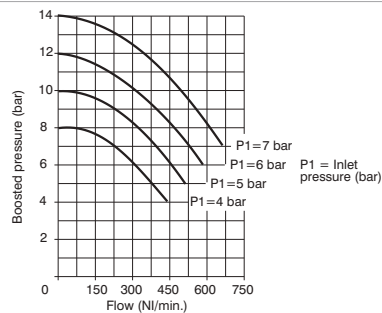
**Pressure booster ø63 complete with pressure regulator**



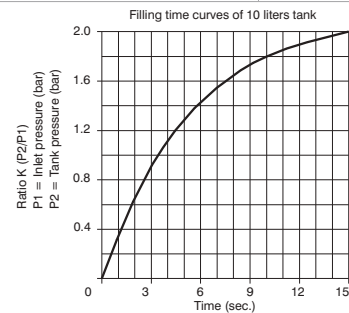
Ordering code

**1763.80.NR**

Flow rate curves



Filling curves



**Operating Characteristics**

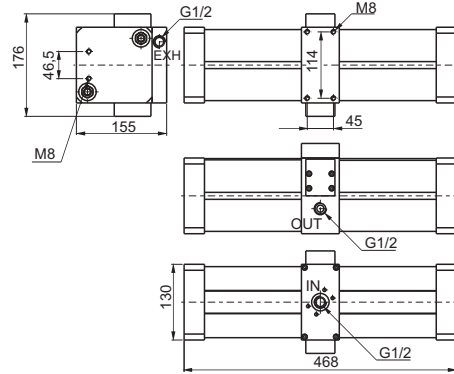
- Self operating pressure booster with pressure ratio of 2:1.
- Automatic functioning: to operate the booster just connect it to compressed air line.
- Body made with light alloy.
- Barrel made of extruded and anodized aluminium.
- Downstream circuit pressure is kept under pressure even in absence of inlet pressure.
- Regulation of the inlet pressure (and as a consequence regulation of the outlet pressure)

**Technical characteristics**

Connections	G 3/8"
Max working pressure (bar)	2 - 8
Temperature °C	50°C
Nominal orifice diameter	ø 7 mm
Weight	gr. 3200
Assembly position	Any
Max. fittings torque	15 Nm



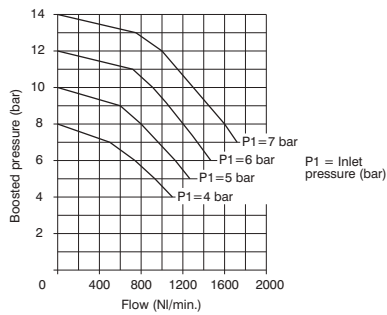
**Pressure booster ø100**



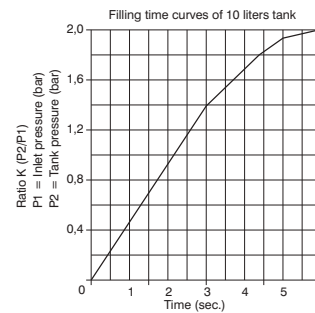
Ordering code

**17100.125N**

Flow rate curves



Filling curves



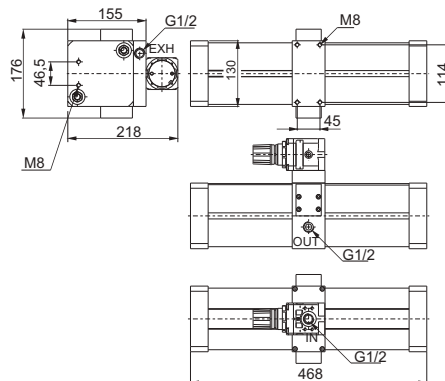
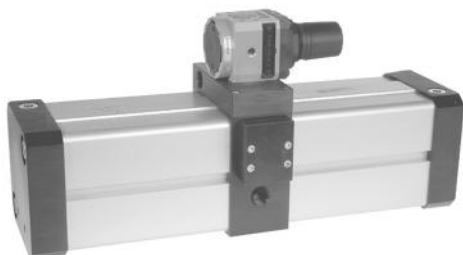
**Operating Characteristics**

- Self operating pressure booster with pressure ratio of 2:1.
- Automatic functioning: to operate the booster just connect it to compressed air line.
- Body made with light alloy.
- Barrel made of extruded and anodized aluminium.
- Downstream circuit pressure is kept under pressure even in absence of inlet pressure.

**Technical characteristics**

Connections	G 1/2"
Max working pressure (bar)	2 - 8
Temperature °C	50°C
Nominal orifice diameter	ø 12 mm
Weight	gr. 12000
Assembly position	Any
Max. fittings torque	40 Nm

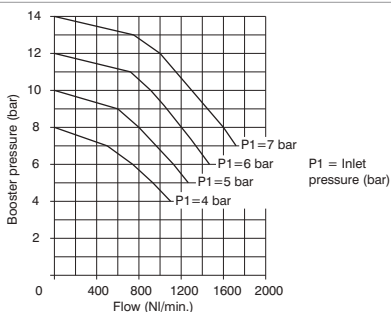
**Pressure booster ø100 complete with pressure regulator**



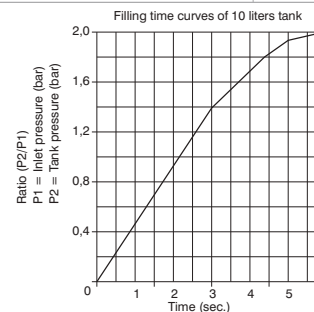
Ordering code

**17100.125.NR**

Flow rate curves



Filling curves



**Operating Characteristics**

- Self operating pressure booster with pressure ratio of 2:1.
- Automatic functioning: to operate the booster just connect it to compressed air line.
- Body made with light alloy.
- Barrel made of extruded and anodized aluminium.
- Downstream circuit pressure is kept under pressure even in absence of inlet pressure.
- Regulation of the inlet pressure (and as a consequence regulation of the outlet pressure)

**Technical characteristics**

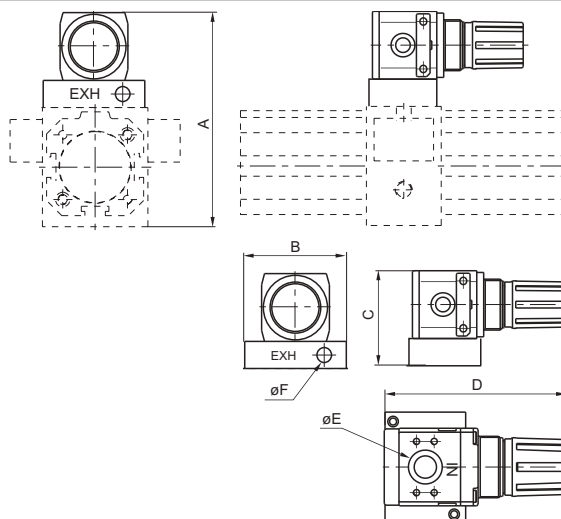
Connections	G 1/2"
Max working pressure (bar)	2 - 8
Temperature °C	50°C
Nominal orifice diameter	ø 12 mm
Weight	gr. 12600
Assembly position	Any
Max. fittings torque	40 Nm



**Series 1700**  
**Pressure booster**

**Air Service Units**  
**Accessories**

**Base complete with pressure reducer**



DIMENSIONS						
CODE	A	B	C	D	E	F
1740.BR	126	60	56	91	G1/8"	G1/8"
1763.BR	168	75	78	124	G3/8"	G3/8"

**Ordering code**

**17V.BR**

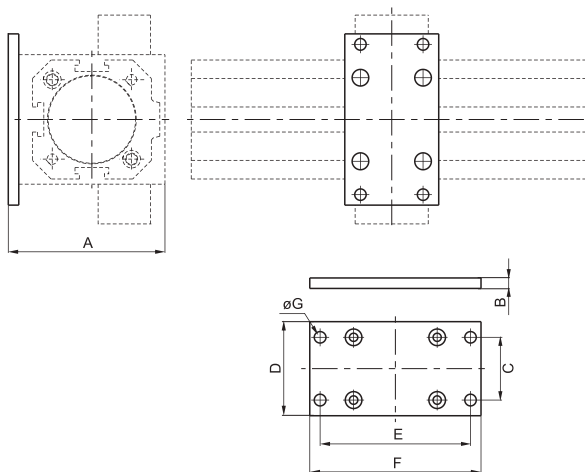
**VERSION**

- 40 = Base complete with pressure reducer for Ø40 booster
- 63 = Base complete with pressure reducer for Ø63 booster

ø100 = Mount directly the pressure reducer Code 17302B.C

**3**

**Booster mounting plate**



DIMENSIONS							
CODE	A	B	C	D	E	F	ØG
1740.02	75	5	30	45	72	82	5,5
1763.02	100	15	53	70	98	110	M8

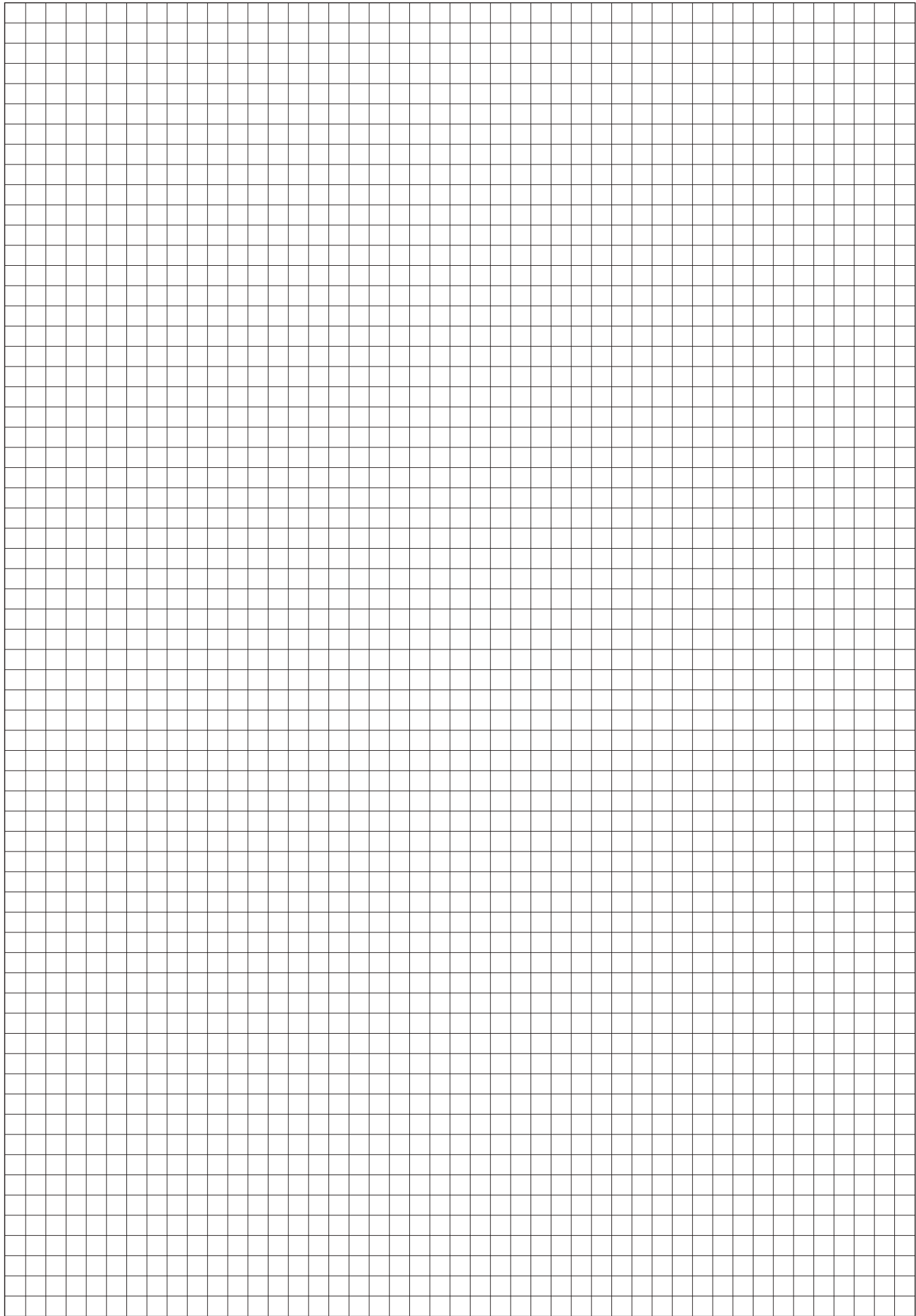
**Ordering code**

**17V.02**

**VERSION**

- 40 = Mounting plate for Ø40 booster
- 63 = Mounting plate for Ø63 booster

ø100 = Use short foot bracket code 1320.50.05/1F



3



## Basic Information

In some cases the force generated by a pneumatic actuator is not sufficient to carry out its required function. To overcome this problem it is then necessary, where possible, to either increase the working pressure or use a larger bore actuator providing it will fit within the structure of the machine.

If you cannot fit a larger actuator, the solution is to use a pressure booster to increase the air pressure to that portion of the pneumatic circuit. The booster operates using the same compressed air used by the pneumatic system and does not require an external power supply. It is easy to install and can increase the working pressure in any part of the system where ever its needed, maintaining the normal working pressure in the rest of the system.

The new pressure booster **P+** is lightweight with a new compact and linear design, **P+** has an integrated pressure regulator that adjusts the setting of the output pressure P2 which is also fitted with a pressure relief valve. The design of the internal circuit provides high flow rates and fast filling times whilst the two G1/8" manometer connections built into the body of the booster allow monitoring of the input and output pressures.

## Operation

The operating principle of the device is based on a four chamber pump in which with a reciprocating movement, two chambers compress the air in the compression chamber whilst the fourth chamber is in the discharge phase. The incoming air passes through the non-return valves and supplies the compression chambers "A" and "B" at the same time.

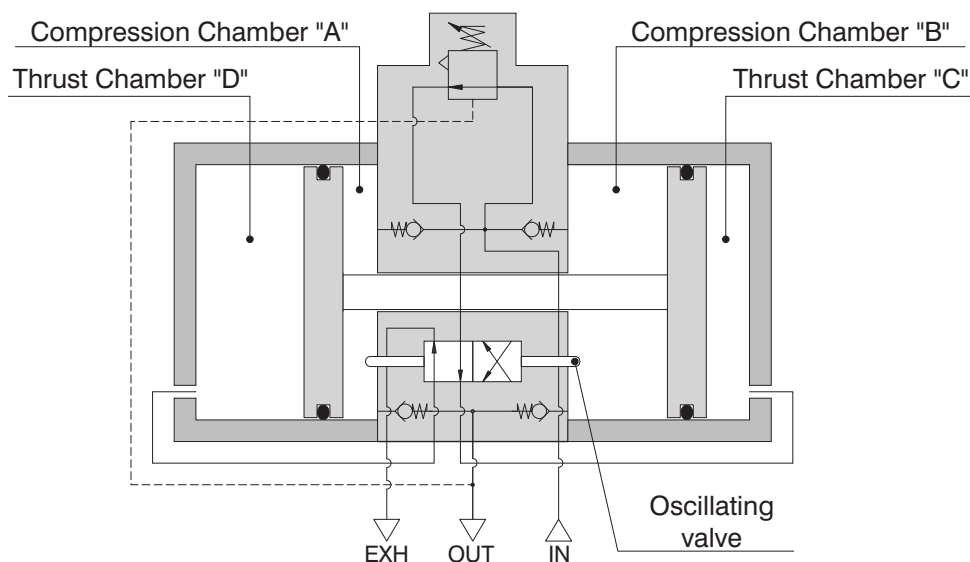
Meanwhile, the integrated pressure regulator feeds the thrust chamber "C" via the oscillating valve which in turn compresses the air in compression chamber "B", the air is then pushed through the non-return valve and exits through the outlet connection.

When the piston reaches the end of stroke the oscillating valve changes over and feeds chamber "D" putting chamber "C" into the discharge position, thus reversing the piston and compressing the air in compression chamber "A", pushing it through the non-return valve and out through the outlet connection.

The oscillating motion of the piston allows the pressure booster to pump intensified air into the downstream circuit until the chambers reach a state of equilibrium; this in turn stops the booster.

When the downstream pressure decays the booster restarts oscillating until the state of equilibrium is re-established.

### Pneumatic Circuit



The **P+** pressure booster, is certified by ATEX:

CE II 3GD c T6 T85°C X 5°C ≤ Ta ≤ 50°C.



### General Warning

It is recommended you follow the instructions below in order to prevent personal injury or damage to the booster.

- The pressure booster is supplied as standard with the regulating spring completely unwound. In this condition it is possible to detect a leak of air from below the regulating knob or through the exhaust port. This condition is standard for the unit. When the spring is completely unwound the downstream pressure and the inlet pressure are the same. In order to increase the downstream pressure it is necessary to operate the regulation knob increasing the spring compression.
- Please apply the necessary safety measures to ensure that the booster only operates within the specified pressure range. Exceeding the maximum output pressure is dangerous.
- The booster is fitted with a non-return valve on the output which prevents discharge of the downstream pressure. It is recommended that a 3/2 valve be installed in the OUT connection if it is necessary to rapidly discharge the downstream pressure.
- When the booster is not in use it is recommended that the inlet pressure is removed to let the booster stop, thus avoiding unexpected operation or malfunction.
- If there is not downstream air consumption it is possible to register a leak through the exhaust port of the unit. This condition is normal and is the consequence of the internal design aimed at discharging any pressure building up in the unit in the rest condition.



### Use and maintenance

The pressure booster must always be used in accordance with the operating parameters and instruction; any improper use may cause injury or malfunction. The pressure booster is not an alternative to a compressor because continuous uninterrupted operation will greatly reduce the life of the unit.

- The operating life of the device depends mainly on the operational duty cycle. Prolonged uninterrupted use without pause may reduce the operating life of the booster.
- Ensure the unit is supplied with a suitable compressed air supply, please note: appropriate filtration and lubrication may help to increase the durability of the product.
- **The input flow value must be equal or greater than double the output flow value ( $Q1/Q2 > 2$ ).**
- **Ensure that the value of the output pressure is at least 1 bar higher than the input pressure ( $P2 > P1 + 1$ ).**
- To avoid pulsation of the output pressure during operation, it is recommended that an accumulation tank (reservoir) is installed in the downstream circuit.
- Protect the booster exhaust ports from the ingress of dust or debris.
- To reduce the noise generated by the unit, install silencers into the exhaust ports.
- Pressure booster has an average life of about 20 millions of valve cycles, depending on working conditions (every back stroke corresponds to one valve cycle).

### Regolazione della pressione

The booster is fitted with an internal pressure regulator which allows regulation of the output pressure  $P2$  and is also fitted with pressure relief valve. For correct operation of the booster, please consider the following instructions:

- Air leaking from under the adjusting knob when the spring is decompressed is not a defect but a sign that the device is working correctly.
- In order to increase the regulated pressure, pull the knob upwards to unlock, then rotate the knob in the direction indicated by the arrow (+).
- To lock the knob after the adjustment has been made, push the knob downwards until it detents in the locked position.
- To reduce the output pressure, pull the knob upwards, rotate the knob indicated by the arrow (-), the built-in pressure relief valve will discharge the excess pressure from under the adjusting knob.
- Always regulate the rising pressure.






**Method of calculation of the time necessary to increase the pressure in a tank of a given volume using a pressure booster.**
**DATA:**

P1 = Inlet pressure  
 P2' = Initial tank pressure  
 P2'' = Final tank pressure  
 V = Tank volume

**PROCEDURE:**

- 1) Calculate the K' ratio between the initial tank pressure and the inlet booster pressure (P2'/ P1).
- 2) Calculate the K'' ratio between the final tank pressure and the inlet booster pressure (P2''/ P1).
- 3) Locate, on the chart illustrating, the booster filling time, the intersection point between the K' ratio and the curve, then trace a vertical line from the intersection point to the vertical axis and read the correspondent value T' (in the example chart, to a ratio of 0.8 corresponds a time value of about 3.6 seconds).
- 4) Repeat the operation for the K'' ratio, obtaining the T'' time.

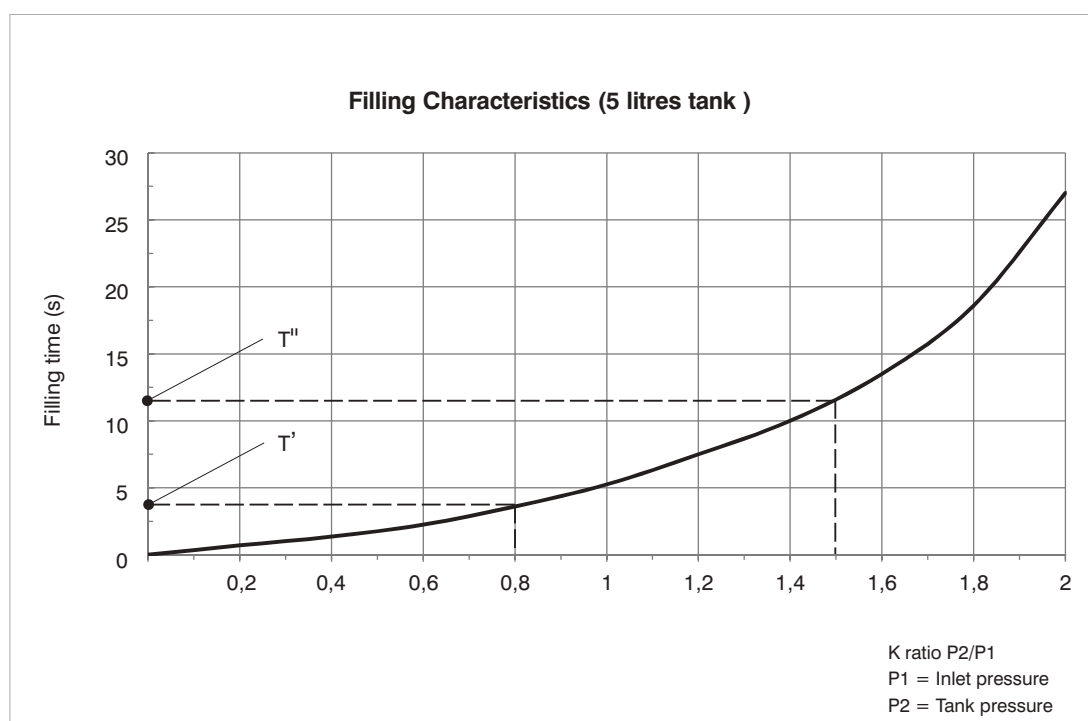
$$5) \text{ Apply the formula } T = \frac{V}{5} \cdot (T'' - T')$$

to obtain the total time needed to take the tank of volume V from the pressure value P2' to the pressure value P2'.

Example of calculation of the necessary time to take a 10L tank from the pressure value P2' to the value P2''

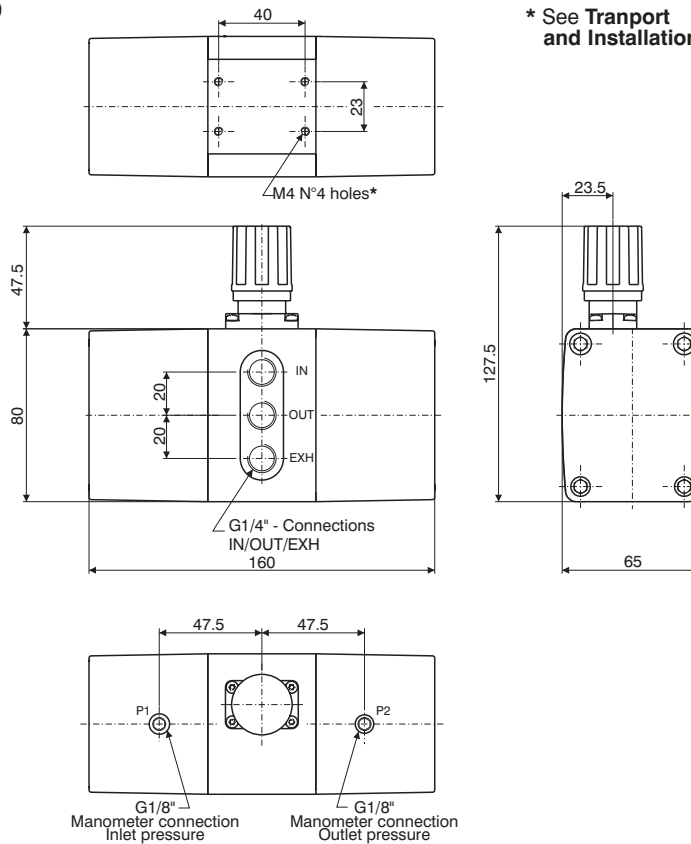
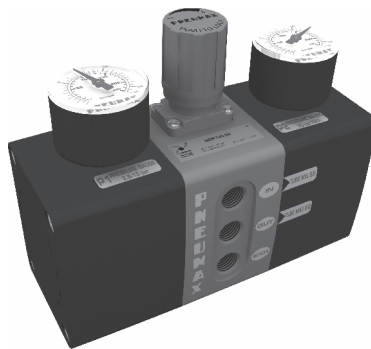
K' = 0,8    T' = 3,6 sec.    V = 5L.  
 K'' = 1,5    T'' = 12 sec.

$$T = \frac{5}{5} \cdot (12 - 3,6) = 8,4 \text{ sec.}$$





Pressure booster in Technopolymer Ø40  
**ATEX CE II 3GD**



\* See Transport and Installation

Ordering code

**MDPT40.2R.⊙**

MANOMETER OPTIONS

Without options = Standard without manometer

A = Manometer P1 0-12 bar  
Manometer P2 0-20 bar

B = Manometer P1 0-12 bar  
Manometer P2 0-16 bar

C = Manometer P1 0-12 bar  
Manometer P2 0-12 bar

**Operational characteristics**

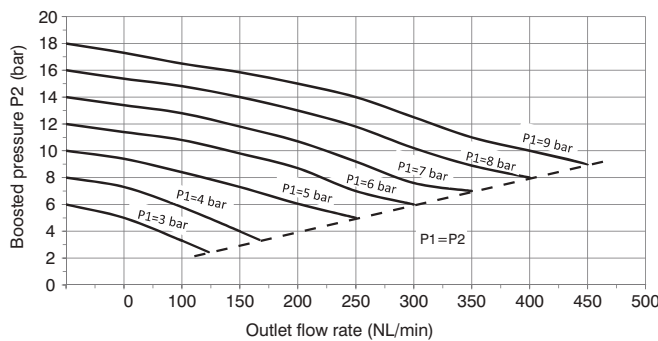
- Pressure Booster with max. 2:1 Compression ratio
- Automatic operation for use with compressed air only
- Maintains downstream air when the supply pressure fails (Providing the circuit has no leakage)
- Integrated regulator for output pressure control, with overpressure relief valve
- IN,OUT and EXH connections – G1/4" on the same side
- Manometer connections G1/8" to monitor and control the input and output pressures
- Body and cover in technopolymer
- Connections in technopolymer

**Technical characteristics**

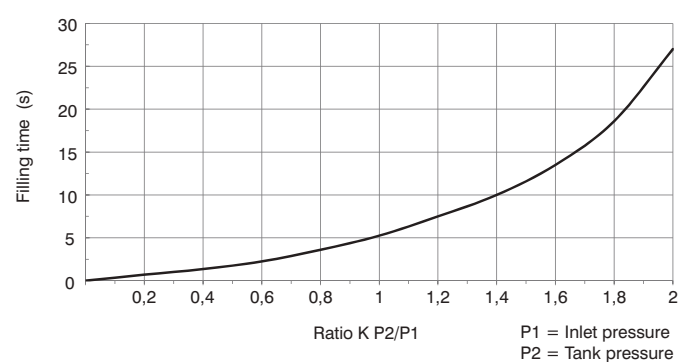
Connections ( IN / OUT / EXT )	G1/4"
Manometer connections P1/P2	G1/8"
Working pressure ( bar ) [ Min. - Max. ]	2,5 ÷ 10
Working temperature ( °C ) [ Min. - Max. ]	-5 ÷ + 50
Multiplication ratio max.	2 : 1
Assembly position	Any
Pressure regulation	Manual with relieving
Weight	905 gr.
Max. fittings torque	G1/8 = 4 N/m G1/4 = 9 N/m

**Characteristics curves**

**Flow rate characteristics**



**Filling characteristics (5 liters tank)**





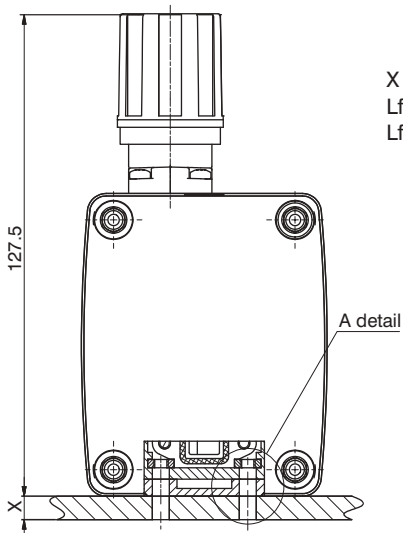
**Transport and Installation:**

The installation and implementation of the device must be done by skilled personnel. Respecting the safety requirements specified in the UNI norm **UNI EN 983-97 Machinery Safety – Safety Requirements concerning oleo-hydraulic and pneumatic systems** and their components.

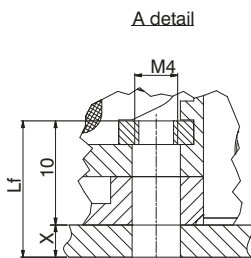
The following instructions are essential for a correct installation:

- Do not use the green knob to lift and transport the device, because it could rip off causing injuries or damaging objects..
- Install the booster by fixing it through the threaded M4 holes on the body of the machine or using the special accessories (see the “Accessories” chapter).

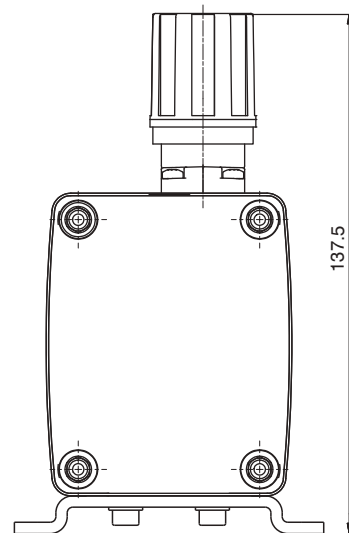
**Direct Wall Fixing**



X = Thickness of the support surface  
L<sub>f</sub> = Fixing screw thread length  
L<sub>f</sub> = X + 10



**Fixing with a steel plate fixing clamp.**



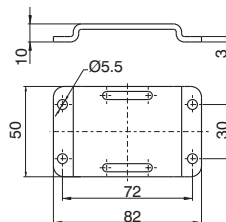
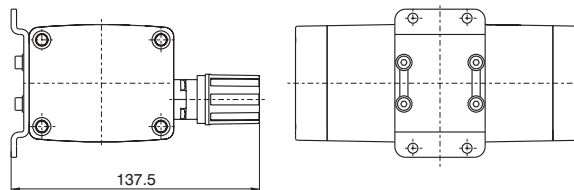
3

**Series P+  
Accessories**

**Bracket**

Ordering code

**T1740.01**



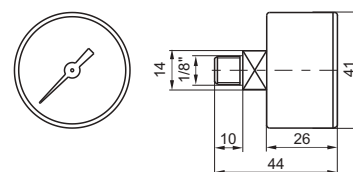
Weight gr. 94,5  
Complete with booster fixing screws

**Manometer D.40**

Ordering code

**17070A.Ⓢ**

- SCALE
- A = 0-4 bar
  - B = 0-6 bar
  - C = 0-12 bar
  - D = 0-16 bar
  - E = 0-20 bar



Weight gr. 85