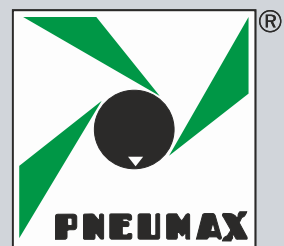


LEVEL COMPENSATORS **2**

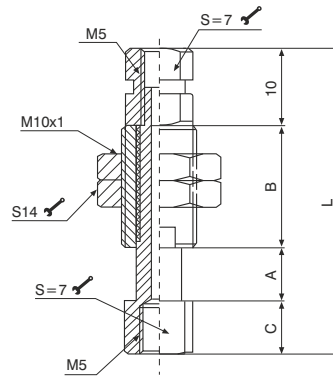
2

PNEUMAX GREEN LINE: TECHNOLOGY & INNOVATION



www.pneumaxspa.com

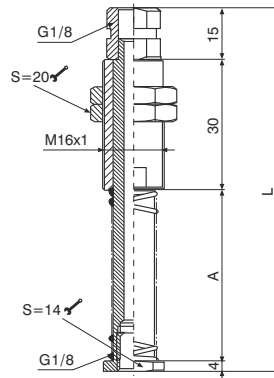
Standard level compensator M5 - internal spring



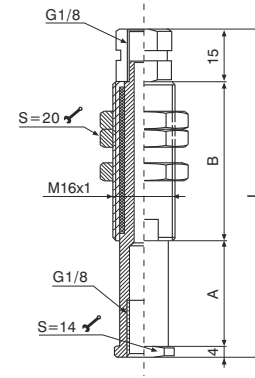
Code	A	B	C	L
19P05.S.07.I	7	19	7	43
19P05.S.15.I	15	23	27	75
19P05.S.20.I	20	36	7	73

The standard level compensator M5 makes it possible to compensate for differences in height when the gripping system has to deal with objects of different heights, simplifies accurate positioning on vacuum systems, and makes it possible to position the suction cups on fragile items.

Standard level compensator G1/8" – internal and external spring



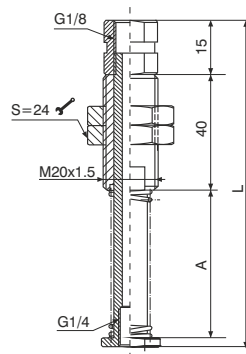
Code	A	L
19P18.S.10.E	20	69
19P18.S.20.E	35	84
19P18.S.30.E	50	99
19P18.S.50.E	70	119



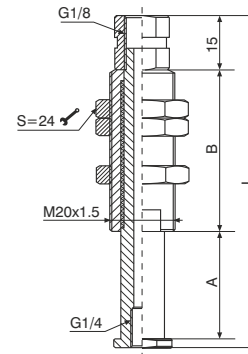
Code	A	B	L
19P18.S.10.I	10	25	54
19P18.S.20.I	20	35	74
19P18.S.30.I	30	45	94
19P18.S.50.I	50	65	134

The standard level compensator G1/8" makes it possible to compensate for differences in height when the gripping system has to deal with objects of different heights, simplifies accurate positioning on vacuum systems, and makes it possible to position the suction cups on fragile items.

Standard level compensator G1/4" – internal and external spring



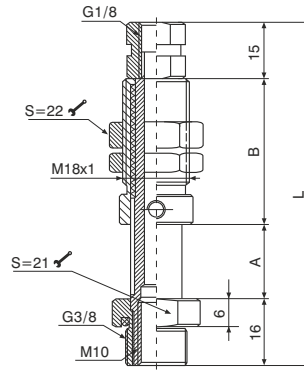
Code	A	L
19P14.S.10.E	20	80
19P14.S.20.E	35	95
19P14.S.30.E	50	110
19P14.S.50.E	70	130



Code	A	B	L
19P14.S.10.I	10	25	55
19P14.S.20.I	20	35	75
19P14.S.30.I	30	45	95
19P14.S.50.I	50	65	135

The standard level compensator G1/4" makes it possible to compensate for differences in height when the gripping system has to deal with objects of different heights, simplifies accurate positioning on vacuum systems, makes it possible to position the suction cups on fragile items.

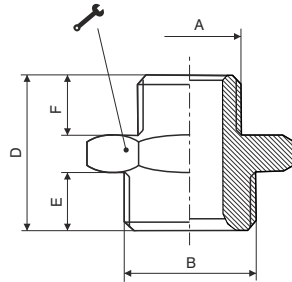
Anti-rotation level compensator G3/8" - internal spring



Code	A	B	L
19P38.N.10.I	10	28	69
19P38.N.20.I	20	39	90
19P38.N.30.I	30	50	111
19P38.N.50.I	50	70	151

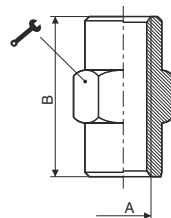
The anti-rotation level compensator G3/8" makes it possible to compensate for differences in height when the gripping system has to deal with objects of different heights, simplifies accurate positioning on vacuum systems, and makes it possible to position the suction cups on fragile items. The anti-rotation design makes it possible to use oval or rectangular suction cups.

Cylindrical nipples for compensators



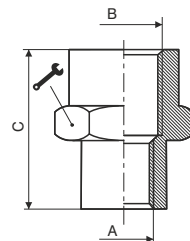
Code	A	B	D	E	F	
101M5M5	M5	M5	11.5	4	4	8
101M518	M5	G1/8"	14.5	6	4	14
1011818	G1/8"	G1/8"	16.5	6	6	14
1011814	G1/8"	G1/4"	19	8	6	17
1011838	G1/8"	G3/8"	20	9	6	19
1011414	G1/4"	G1/4"	21	8	8	17
1011438	G1/4"	G3/8"	22	9	8	19
1011412	G1/4"	G1/2"	23.5	10	8	24
1013838	G3/8"	G3/8"	23	9	9	19
1013812	G3/8"	G1/2"	24.5	10	9	24
1011212	G1/2"	G1/2"	25.5	10	10	24

Sleeves for antirotation level compensators



Code	A	B	
10338	G3/8"	23	22

Sleeves for antirotation level compensators



Code	A	B	C	
1061838	G1/8"	G3/8"	20	22
1061438	G1/4"	G3/8"	23	22
1063812	G3/8"	G1/2"	27.5	26